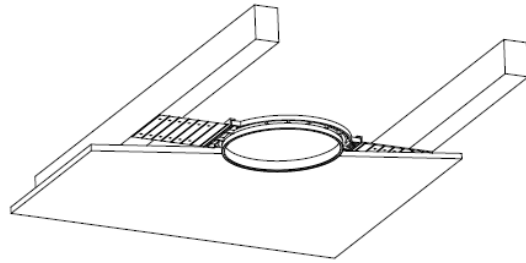


## INSTALLATION GUIDE

Congratulations on your purchase of this pre-construction bracket system, suited for the DALI KOMPAS 6M, IKON PHANTOM, and PHANTOM VOKAL speakers.

These brackets will help you:

- Choose the location of your speakers
- Determine position and size of cut-outs needed in the drywall or ceiling
- Support the speaker during actual installation

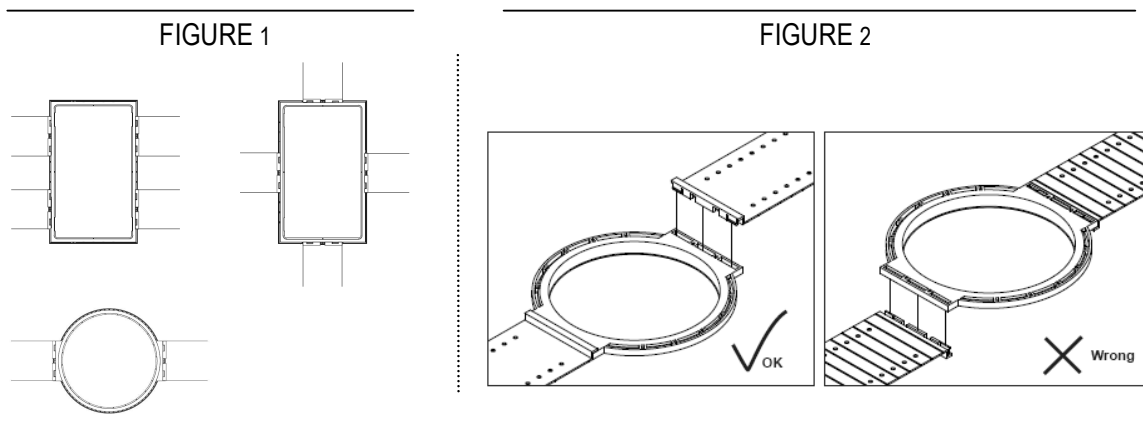


Contents:

KOMPAS 6M IN-CEILING	PHANTOM VOKAL / IKON PHANTOM
4 x Wings	8 x Wings
2 x Main brackets (cutout Ø 22.8 cm)	2 x Main brackets (cutout 40.6 x 24.3 cm)
1 x Installation guide (this paper)	1 x Installation guide (this paper)

Procedure:

1. Fix wings to the main bracket, see figure 1  
Align wing notches with bracket grooves and snap into place, see figure 2  
If required at a later stage the wings can be detached from the main bracket



2. Choose the location of your speaker (height and width) between the studs or ceiling joists (KOMPAS 6M only)  
Be careful not to interfere with room mouldings, trim work, cabling etc.
3. Secure wings to studs or ceiling joists, using screws, nails, or staples  
Make sure that the bezel is pointing outwards, and that the main bracket is level
4. Pull the speaker cable through the main bracket, and secure it for easy access later on
5. Cut the drywall / ceiling opening to fit the dimensions of the main bracket, and install the drywall / ceiling
6. When the drywall has been finished you are ready to install your DALI speaker

