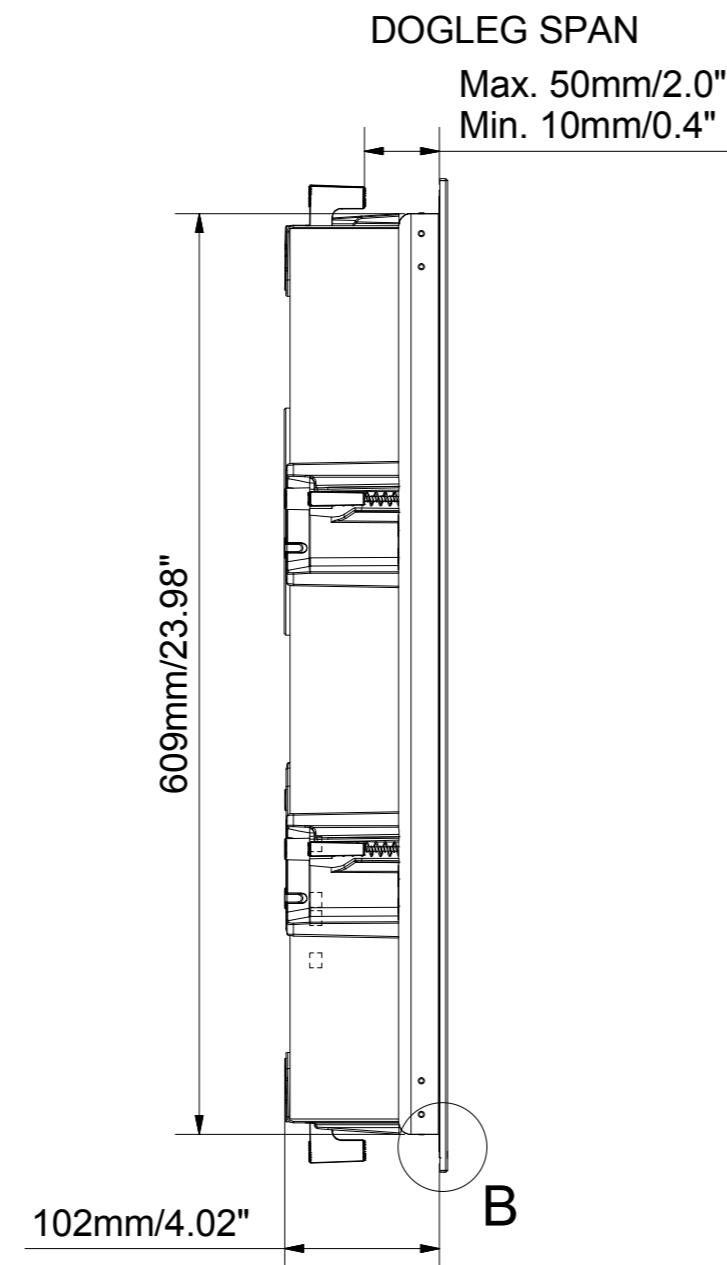
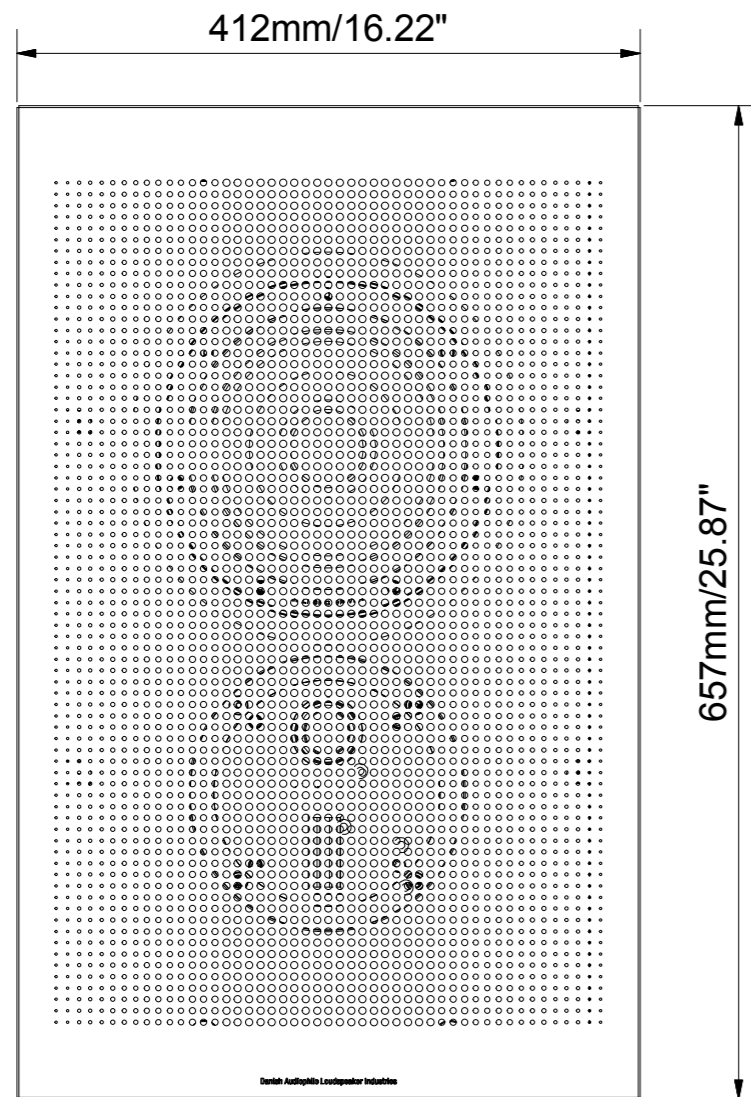


4

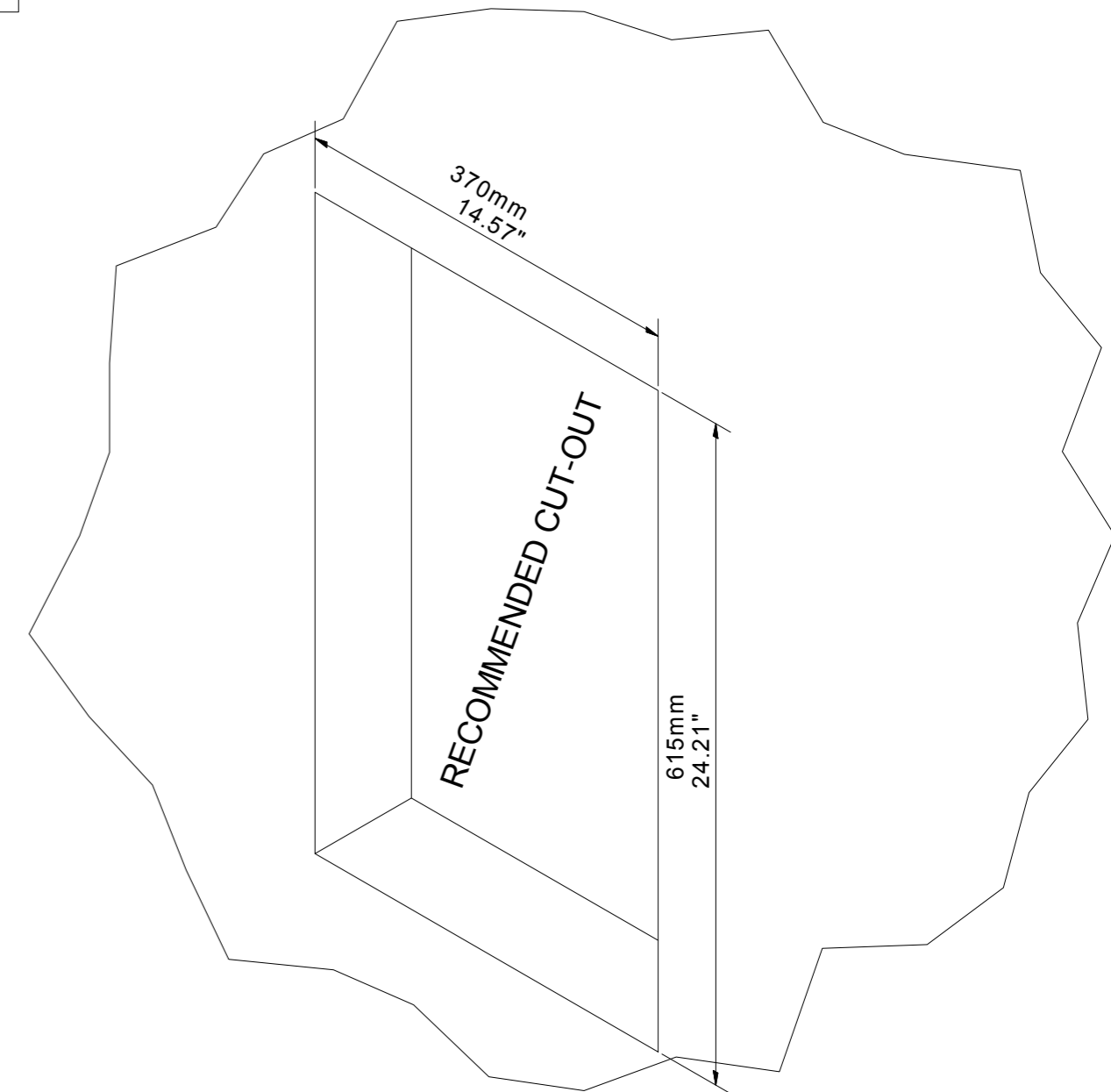
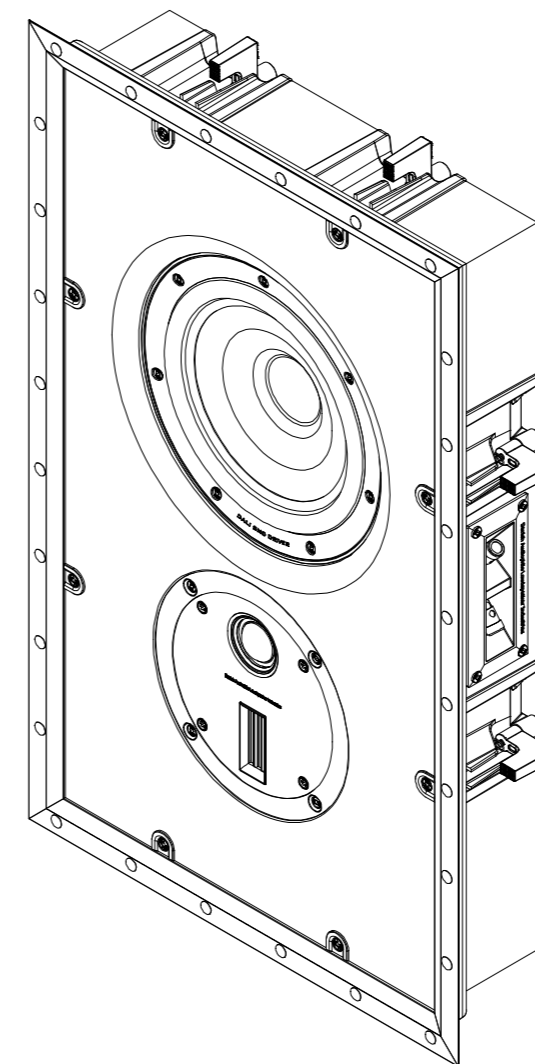
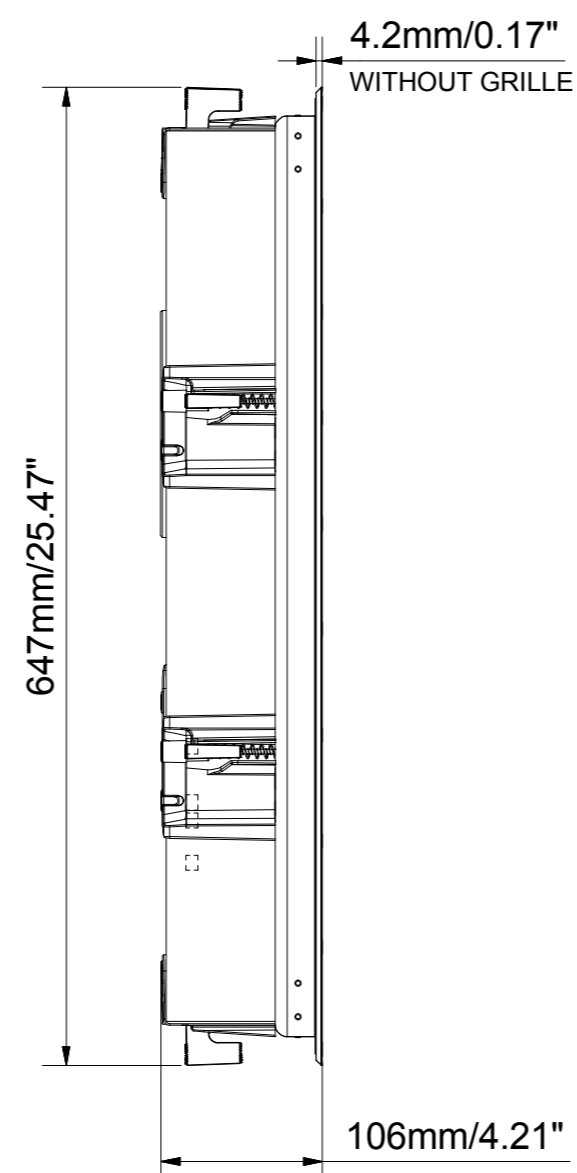
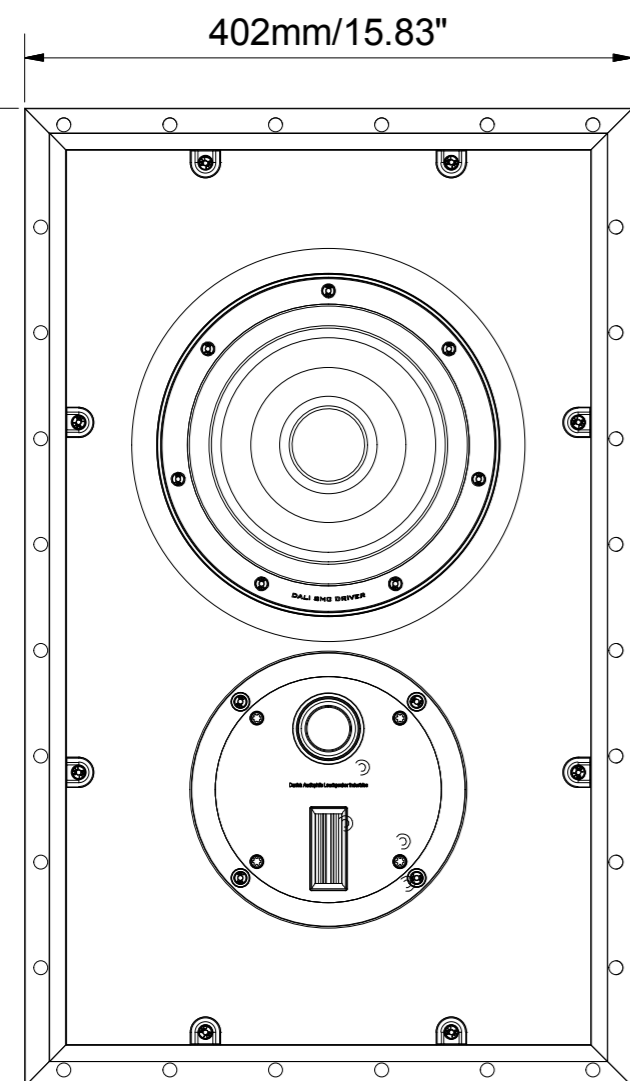
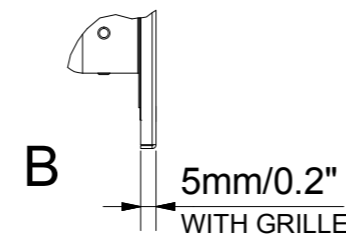
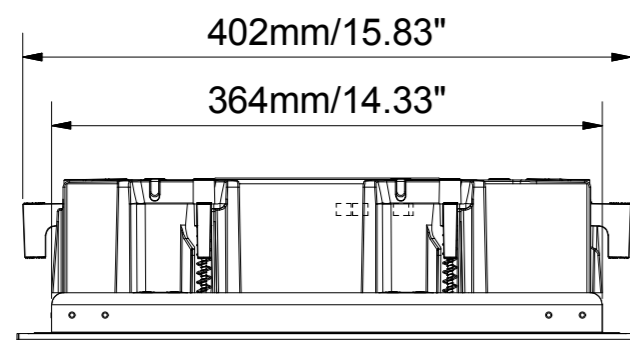
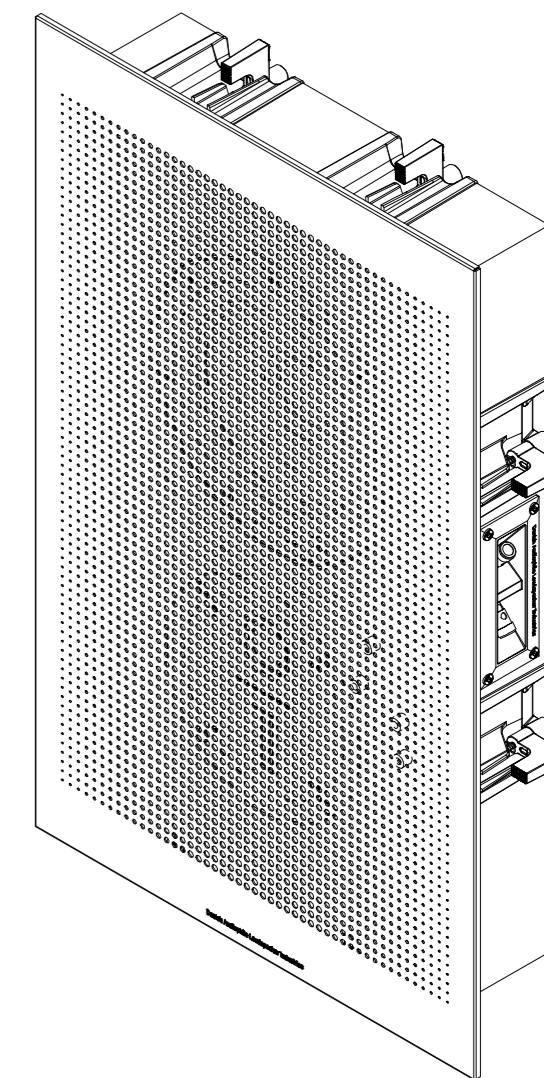
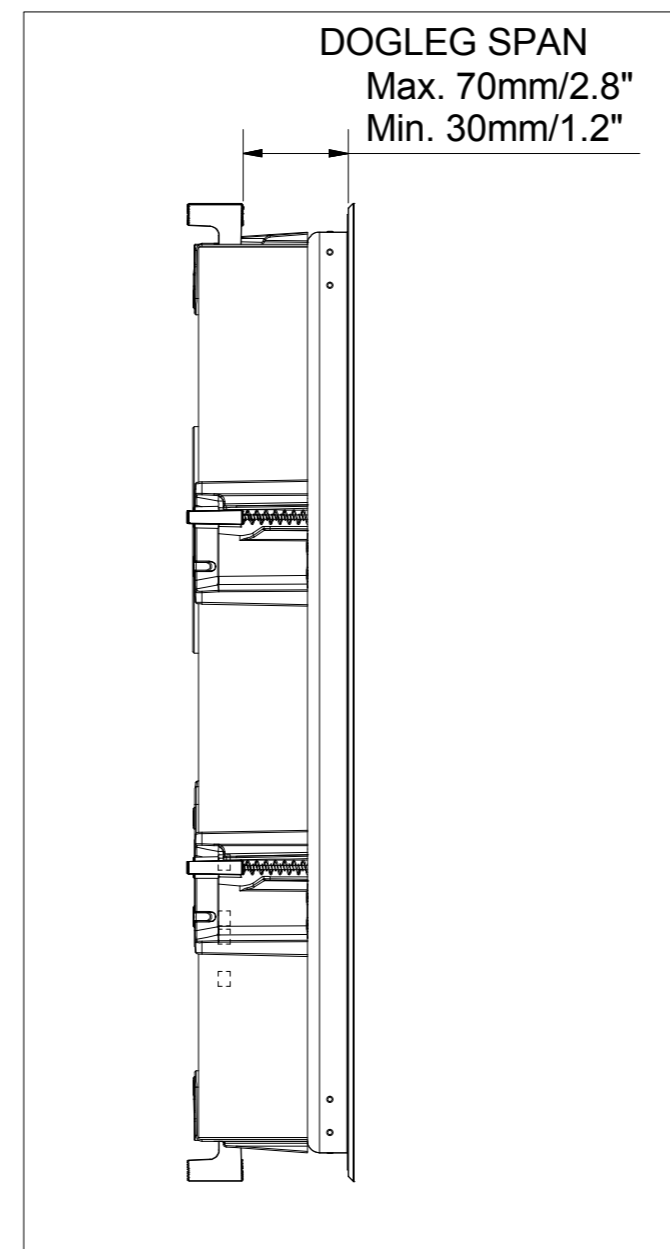
3

2


1



REVERSED DOGLEG POSITION



WEIGHT: 15KG

Material:		General tolerances: DS/ISO 2768		From mm: 0,5 3 6 30 120 400 1000 2000									
Drawn by: dro		Created: 15-11-2016		Scale:		To mm (incl.):		Fine ± 0,05 0,05		Medium ± 0,1 0,1		Rough ± 0,2 0,3	
Part no: 262080 PHANTOM S-80		Revision: 1		Sheet: 1/2		Format: A2		 DALI A/S Dali Allé 1 DK-9610 Nrager, Denmark Tel. +45 9672 1155 Fax +45 9855 1940					
Drawing no.: 262080 PHANTOM S-80 Outer Dimension													

4


3

2

1

REV	DATE	ENGINEER	APPROVED	DESCRIPTION	ECO
1	24-11-2016	DRO			



Title:	Revision sheet	Sheet:	2 / 2	 DALI A/S <small>Dali Allé 1 DK-9610 Nørager, Denmark Tel. +45 9672 1155 Fax +45 9855 1940</small>
Drawing no.:	262080 PHANTOM S-80 Outer Dimension	Format:	A4	